



Dive Center Essentials





OCEANIC RENTAL SETS



Oceanic Ocean Sport BCD

The Oceanic OceanSport BCD is a durable jacket-style buoyancy compensator featuring a single backplate unit construction, built for reliability and heavy use. Made from tough 800D ballistic nylon, it offers stable buoyancy, an adjustable fit, and practical storage, making it ideal for dive schools, rental programs, and recreational divers.



Oceanic Alpha 8 Regulator

The Oceanic Alpha 8 (SP-5) regulator offers smooth, reliable breathing performance at an excellent entry-level price. The efficient second stage delivers easy airflow, while the durable SP-5 piston first stage ensures dependable operation and simple maintenance. Nitrox compatible up to 40% and lightweight for travel, it's a trusted choice for recreational divers and dive centers.



Oceanic Alpha 8 Octopus



PSI Mini 2K Console

PSI Slimline Console

The PSI Mini 2K (compact) or Slimline Gauges are affordable and durable pressure gauges offering precise readings up to 400bar, with a clear and luminous easy-to-read display. An ideal instrument for dive operators.

Oceanic offers a Reliable, Robust, and Comfortable dive center school set, specially built for your rental lockers. Wetsuits and Gear Bags can be customized with your own logo.

TANKS & VALVES

WEIGHT BELT & BUCKLE



AL-SAFE Cylinder

Seamless 6061-T6 high strength aluminum, made to DOT-3AL and ISO 7866 certified standards



PSI K Valve

PSI Valve Pro

Made in Italy and compatible with Thermo parts, DIN/INT both come with safety burst disk



PSI Lead Weight 1.0 KG

Lead weights in 1kg size for threading onto weight belt



PSI Weight Belt + Buckle

Weight belt with metal buckle 3 slots, 1.4 or 1.8 meters Black

RENTAL GEAR



Affordable wetsuit 3mm made from DuraFlex Neoprene. It offers more comfort and a longer lasting in Rental environment.

PSI Colby Jumpsuit 3mm **PSI Colby Shorty 3mm**



PSI Adventure II Mask

A two-window affordable mask with tempered glass lenses and a silicone skirt for comfort.



PSI Vera Mask

Single-lens frameless mask with an ultra-clear HD lens, Extra soft silicone skirt for comfort, and a secure fit.



PSI Adventure II Snorkel

Silicone snorkel with dry top, purge valve, and flexible joint.



PSI Logbook

Keep your divers organized and promote your brand with our custom-printed logbooks.



PSI Racer Fins

Durable open-heel fin made from vulcanized rubber with replaceable spring straps for comfortable use with neoprene socks or dive boots.



PSI Runner Fins

Durable, lightweight and affordable full foot fins, perfect for warm water diving.



CREST CRI

Reliable and rental-friendly, with a clear display, multiple dive modes, Bluetooth connectivity through the Dive Story Pro app, and a user-replaceable battery.



Aqualung i300C(R)

Built rental-tough with simple two-button control, multiple modes, quick resets, Bluetooth connectivity, and a user-replaceable battery.



PSI Gear Bag

Affordable and Durable 90L bag with a reinforced bottom and edges, U-shaped zipper, and transparent side pocket for identification.



PSI Gear Bag - Mesh version

NARDI COMPRESSOR



Nardi Pacific P

PACIFIC P SERIES by NARDI Compressor

The Pacific P series is a range of compressors which offer fill rates from 160LPM up to 350LPM. They are highly efficient and are very robust.



Nardi Atlantic 100L

ATLANTIC SERIES 100 L/min by NARDI Compressor

Reliable, durable, and versatile, the Atlantic compressor has a fill rate of 100 L/min.



MOLECULAR SIEVE

13X Molecular Sieve is known for its potential to adsorb a wide range of impurities, such as carbon dioxide and hydrogen sulfide, making it ideal for environments with excessive contamination dangers.



ACTIVATED CARBON

An activated carbon filter (e.g., charcoal) filter removes aerosolized oils and hydrocarbons from the air stream to improve taste and smell.



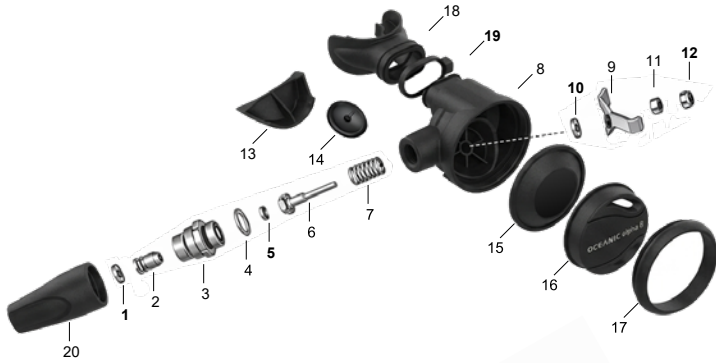
SYNTHETIC OIL

Shell Corena S4 P 100 is an Advanced Synthetic ISO VG 100 grade Reciprocating (Piston) Air Compressor Oil.

Also available with optional automatic condensate drain & final pressure cut off switch, larger filter tower & cartridge.

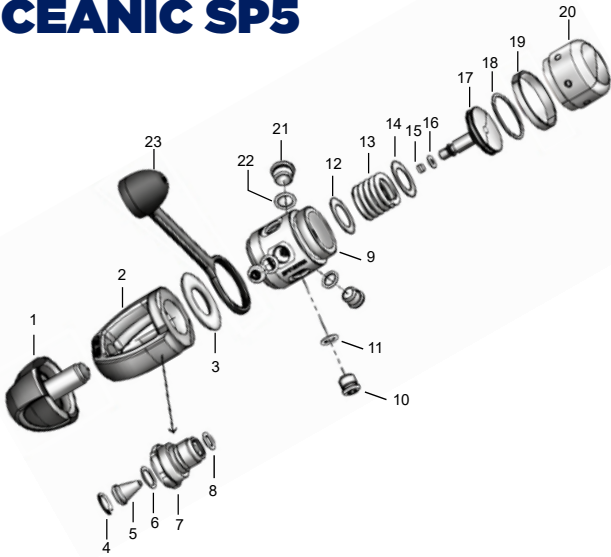
SPARE PARTS AND SERVICE KITS

OCEANIC Alpha 8



KEY#	PART#	DESCRIPTION	KEY#	PART#	DESCRIPTION
1	2.010	O-RING, ORIFICE	13	6822.07	COVER, EXHAUST (BK)
2	6621	ORIFICE	14	6326	VALVE, EXHAUST
3	4330	COUPLING, INLET	15	6827	DIAPHRAGM
4	3.906	O-RING, COUPLING	16	6831.07	COVER, FRONT (BK)
5	4340	SEAT, POPPET	6831.29		COVER, FRONT (BK/GY)
6	4333	POPPET	6831.53		COVER, FRONT (BK/YL)
7	5074	SPRING, POPPET	17	6832 RING,	COVER (PLASTIC)
8	6833.07A	ASSEMBLY, HOUSING (BK)	6861 RING,		COVER (ALUMINUM)
9	4587	ARM, LEVER	18	4485.07	MOUTHPIECE (BK)
10	5117	WASHER	19	1978.07	WRAP, TIE
11	4335	SPACER	20	6325	PROTECTOR, HOSE
12	4336	NUT, LOCK			
N/S	40.6180	KIT, SERVICE PARTS (Includes all Bold items)			

OCEANIC SP5

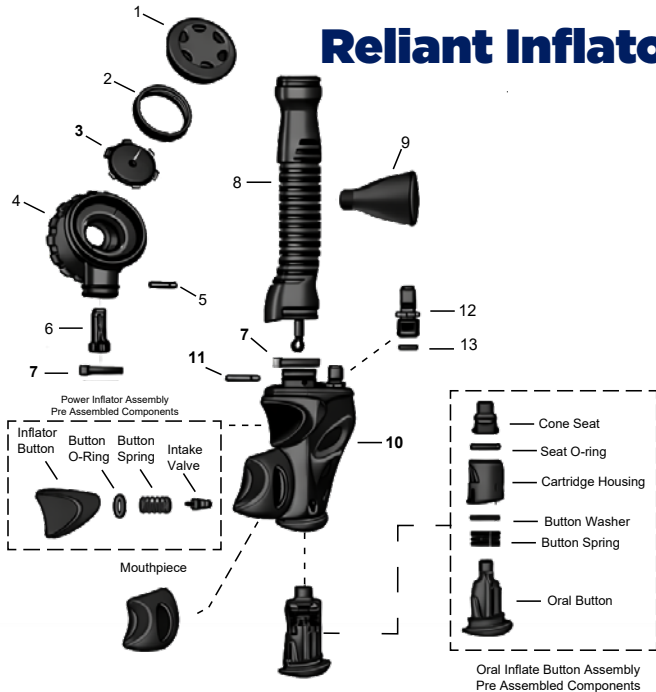


KEY#	PART#	DESCRIPTION	KEY#	PART#	DESCRIPTION
1	6563.07	KNOB, YOKE, BK			
2	6562	YOKE, BEADBLAST			
3	6896	STYLING CUP			
4	3530	CLIP, RETAINING			
5	3545	FILTER, CONICAL			
6	2.013-1	O-RING ORDER 2.013K			
7	3450	RETAINER, YOKE			
8	2.011-1	O-RING, ORDER 2.011K			
9	5221	BODY, SP5			
10	3463	PLUG, LP 3/8, W/O O-RING			
11	3.903-1	O-RING ORDER 3.903K			
12	5091.01	SHIM, THIN BLUE			
13	5272	SPRING, HP, UNBALPIST, ELECTRO			
14	5091.02	SHIM, THICK PINK			
15	6850	SEAT, HP, UNBAL PISTON			
16	2.008-1	O-RING, ORDER 2.008K			
17	5083	PISTON, VALVE, SP4/5, UNBALPIST			
18	2.023-1	O-RING, ORDER 2.023K			
19	5216.01	BAND, STYLING, SP5			
20	5224.3	CAP, PISTON, SP5			
21	3462	PLUG, HP 7/16, W/O O-RING			
22	3.904-1	O-RING, ORDER 3.904K			
23	6560	CAP, PROTECTOR YOKE/DIN			

NOTES: UNLESS OTHERWISE SPECIFIED
 ▲ TORQUE 120-140 IN-LBS
 ▲ TORQUE 23-25 FT-LBS
 ▲ TORQUE 35-40 IN-LBS
 ▲ LUBRICATE THREADS WITH CHRISTO-LUBE MCG 129N
 ▲ USE A COMBINATION OF 5091.01 AND 5091.02 SHIMS AS REQUIRED TO ACHIEVE THE REQUIRED INTERMEDIATE PRESSURE

40.6181 KIT, SERVICE PARTS (Includes all Bold items)

Reliant Inflator



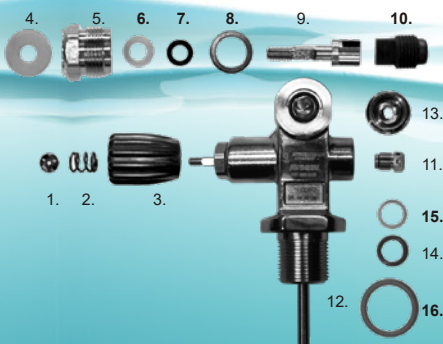
KEY#	PART#	DESCRIPTION	KEY#	PART#	DESCRIPTION
1	819719	CAP, UPPER HOUSING			
2	819041	SPRING, EXHAUST VALVE			
3	819040.1	ASSEMBLY, GASKET/POPPET			
4	819039	ASSEMBLY, UPPER HOUSING BODY			
5	819014	PIN, RAPID EXHAUST			
6	819002.14	CABLE (with Arm), 14" RAPID EXHAUST			
	819002.16	CABLE (with Arm), 16" RAPID EXHAUST			
7	84408	WRAP, TIE (2)			
8	819740.14	HOSE, 14" CORRUGATED AIRWAY			
	819740.16	HOSE, 16" CORRUGATED AIRWAY			
9	819638	CLIP, AIRWAY HOSE			
10	08.1510.29	ASSEMBLY, LOWER POWER INFLATOR			
11	814948	PIN, INFLATOR CABLE			
12	XBCP11009	QD FITTING			
13	XRG911842-1	QD FITTING O-RING			

SERVICE PARTS KIT

n/s 08.4030 KIT, RELIANT SERVICE (Includes all Bold items)

NOTE
 Pre Assembled Components are shown at the right for reference only, the Parts are not available for service of the Reliant.

PSI EVO Pro Valve



KEY#	PART#	DESCRIPTION	KEY#	PART#	DESCRIPTION
1.	FHV02P01	Handwheel Nut (Thermo/Sherwood)	9.	FHV02P09	Stem, Plated Reinforced 14N
2.	FHV02P02	Handwheel Spring	10.	FHV02P010 HP Seat (Thermo/Sherwood)	
3.	FHV02P03	Handwheel - Black	11.	FHV02P011	Safety Plug Assembly
4.	FHV02P04	Handwheel washer	12.	FHV02P012	Dip Tube, plated
5.	FHV02P05	Bonnet Nut (Thermo/Sherwood)	13.	FHV02P13	DIN insert
6.	FHV02P06	Stem packing	14.	FHVX150	O-ring DIN
7.	FHV02P07	Stem O-ring	15.	FHVX100	O-ring INT outlet
8.	FHV02P08	Bonnet Gasket	16.	FHVX120	O-ring tank neck

* Service Kit FHV02P00

* Service Nitrox FHV02P00N